

0248 SERIES



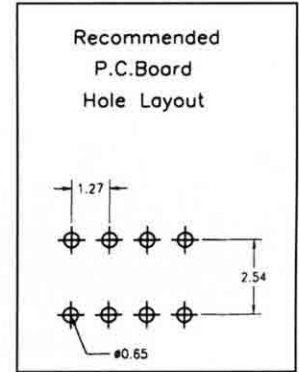
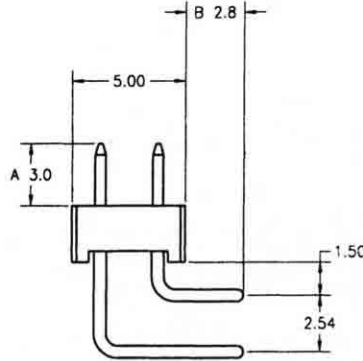
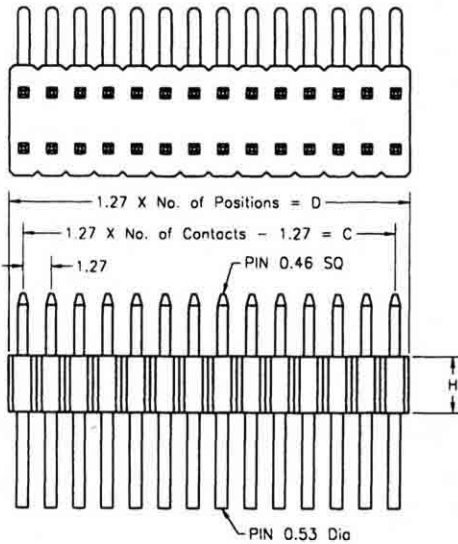
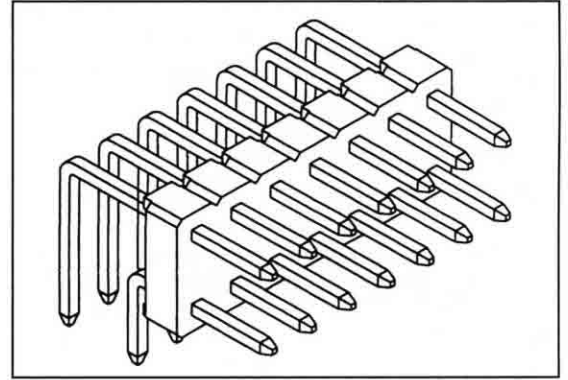
1.27x2.54mm(0.05"x0.1"), 0.46mm Square Pin, Pin Header, Dual Row, Right Angle

Specifications

Current Rating: 1Ampere
 Insulation Resistance: 500MΩ Min.
 Dielectric Withstanding: 300V AC
 Contact Resistance: 20mΩ Max.
 Operating Temperature: -40°C to +105°C

Materials

Contact Material: Phosphor Bronze
 Contact Plating: Gold/Tin over Nickel
 Insulator: Glass Filled Polyester (UL 94V-0)



No. of Pins/Row	Dimension Information		No. of Pins/Row	Dimension Information		No. of Pins/Row	Dimension Information		No. of Pins/Row	Dimension Information	
	C	D		C	D		C	D		C	D
-	-	-	10	11.43	12.70	18	21.59	22.86	26	31.75	33.02
03	2.54	3.81	11	12.70	13.97	19	22.86	24.13	27	33.02	34.29
04	3.81	5.08	12	13.97	15.24	20	24.13	25.40	28	34.29	35.56
05	5.08	6.35	13	15.24	16.51	21	25.40	26.67	29	35.56	36.83
06	6.35	7.62	14	16.51	17.78	22	26.67	27.94	30	36.83	38.10
07	7.62	8.89	15	17.78	19.05	23	27.94	29.21			
08	8.89	10.16	16	19.05	20.32	24	29.21	30.48			
09	10.16	11.43	17	20.32	21.59	25	30.48	31.75			

Ordering Information

0248 - X X X - X X 0
 1: Tin 04: H=2.54mm Position
 2: Gold 05: H=3.0mm
 3: Half Gold 02: H=1.7mm